



Home Sewing Machine

PARTS REFERENCE LIST

MODEL: LS-2720/LS-2129/LS-2150
LS-2125/LS-2125i/LS-2160
SL-7/JS-23
VX-1435
X-5
LS-3000
LS-5000
LX3014

MODEL LIST

Model	Countries (Added Date)
LS-2720	KOR (Mar / 2011)
LS-2129	CAN (Mar / 2011)
LS-2150	RUS, TWN, AUS (Mar / 2011)
LS-2125	CAN, ARG, CHL, PRY, GUF, Latin America 2&5, (Mar / 2011)
LS-2125	UK, BEL&FRA&NLD, ESP, ITA, EEU, RUS, FIN (Mar / 2011)
LS-2125	TWN, MYS, SGP&UAE, AUS, AUS, TUR (Mar / 2011)
LS-2125i	USA, BRA120V, BRA220V (Mar / 2011)
LS-2160	TWN, MYS, SGP, IND, AUS, TUR (Mar / 2011)
SL-7	ITA, FIN, RUS (Mar / 2011)
JS-23	UK, ESP, ITA, FIN, CHE, RUS (Mar / 2011)
VX-1435	USA (Mar / 2011)
X-5	UK, ESP, ITA, FIN, RUS (Mar / 2011)
LS-3000	NEU (Mar / 2011)
LS-5000	NEU (Mar / 2011)
LS-2125i	BRA127V (Apr / 2011)
LS-2160	CHN (Apr / 2013)
LS-2125	CHN (May / 2013)
LS-2125	UAE (Feb / 2014)
LS-2160	UAE (Feb / 2014)
LX3014	USA (Aug / 2015)

Country Code & Abbreviation of Country Name

Country Code	Abbr.	Country Name	Country Code	Abbr.	Country Name	Country Code	Abbr.	Country Name
USA/Canada			Europe			Asia/Oceania		
200	USA	America	401	ZAF	South Africa	601	KOR	Korea
251	CAN	Canada	402	EGY	Egypt	603	TWN	Taiwan
			411	MUS	Mauritius	604	HKG	Hong Kong
301	PER	Peru				605	VNM	Vietnam
302	ARG	Argentina	501	IRE	Ireland	606	IDN	Indonesia
303	CHL	Chile	502	DEU	Germany	607	PHL	Philippines
304	PRY	Paraguay	503	BEL	Belgium	608	MYS	Malaysia
305	URY	Uruguay	505	UK	United Kingdom	609	SGP	Singapore
306	BRA	Brazil	506	FRA	France	615	IND	India
307	VEN	Venezuela	507	NOR	Norway	616	THA	Thailand
308	MEX	Mexico	508	NLD	Netherlands	622	CHN	China
309	COL	Colombia	509	AUT	Austria			
310	PAN	Panama	510	GRC	Greece	701	AUS	Australia
318	GTM	Guatemala	511	SWE	Sweden	702	NZL	New Zealand
324	GUF	FR. Guiana	515	ESP	Spain			
330	BRB	Barbados	516	PRT	Portugal	902	ISR	Israel
399	-	Latin America 2&5	517	ITA	Italy	903	SYR	Syria
			519	FIN	Finland	904	TUR	Turkey
			520	CHE	Switzerland	905	JOR	Jordan
			521	DNK	Denmark	906	KWT	Kuwait
			524	MLT	Malta	908	SAU	Saudi Arabia
			550	EEU	East Europe	909	IRQ	Iraq
			556	RUS	Russia	910	IRN	Iran
			599	NEU	North Europe	911	CYP	Cyprus
						915	UAE	United Arab Emirates

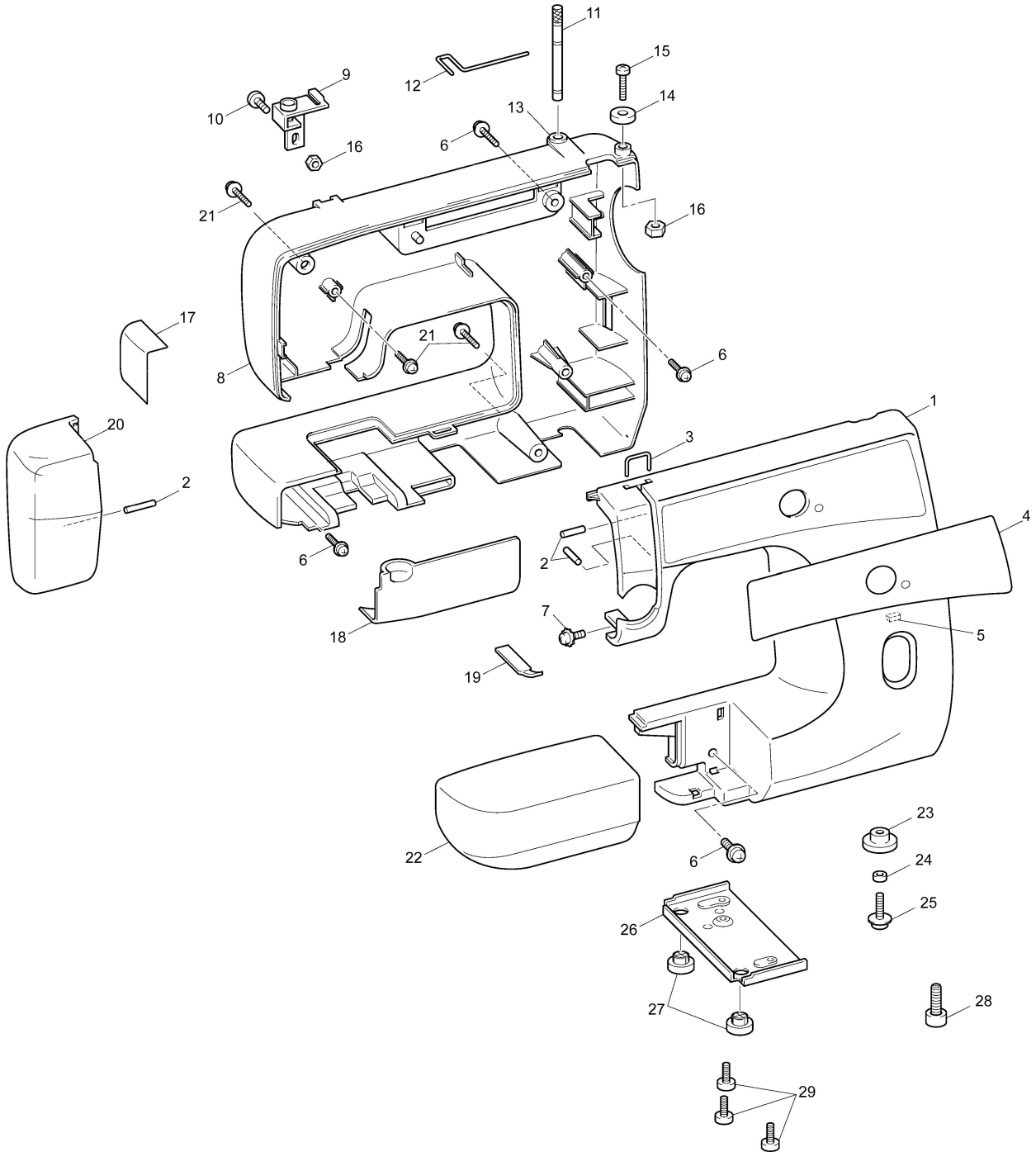
CONTENTS

(1) MAIN FRAME / COVER	2
(2) UPPER SHAFT / NEEDLE BAR / TAKEUP LEVER / PRESSER FOOT MECHANISM	4
(3) HORIZONTAL / VERTICAL FEED / FEED CONTROL MECHANISM.....	6
(4) LOWER / SHUTTLE / ROTARY / ZIGZAG / PATTERN / BOBBIN WINDING MECHANISM	8
(5) LAMP / MAIN MOTOR UNIT	10
(6) ACCESSORY / USER MANUAL / OTHER PARTS / PACKAGE	12

Note on parts:

We keep performance parts for this sewing machine for at least 8 years after this model is discontinued. Performance parts are the necessary parts to maintain the function of the sewing machine.

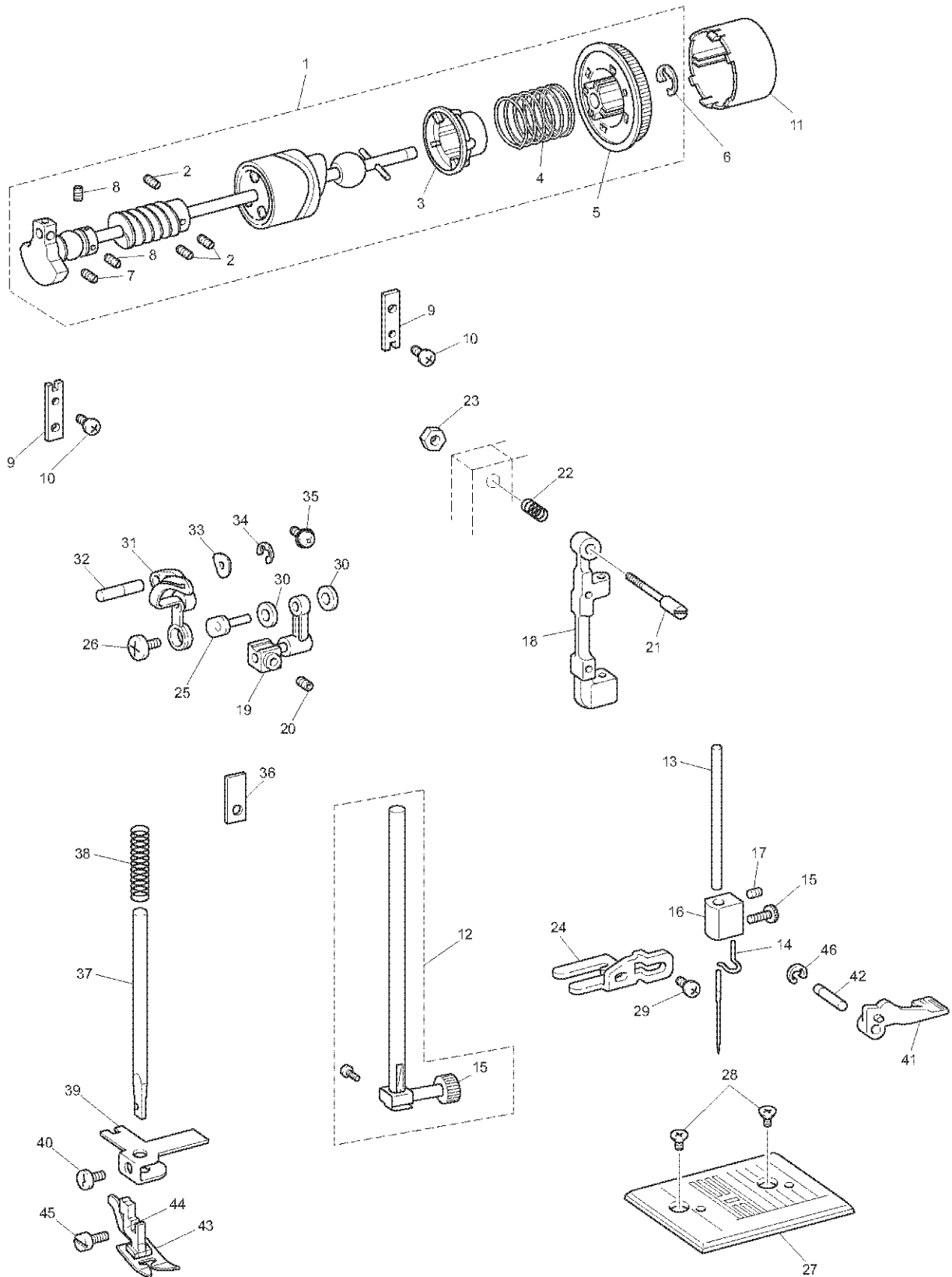
(1) MAIN FRAME / COVER



(1) MAIN FRAME / COVER

No.	CODE	NAME	REMARKS	No.	CODE	NAME	REMARKS
1	XD0289021	FRONT COVER		25	X57297021	SCREW	
2	0A0211850	PIN SPRING ROLL BW2		26	XA7932021	BASE PLATE	
3	X53625121	UPPER COVER THREAD GUIDE		27	XA1805021	BASE RUBBER A	
4	XC0730121	DECORATION PLATE (LS-2720)		28	XA4687021	ADJUSTING SCREW ASSY	
	XC0730127	DECORATION PLATE (LS-2125: CAN, ARG, CHL, TWN, PRY, GUF, Latin America (2&5))		29	060400816	SCREW BIND M4X8	
	XC0730128	DECORATION PLATE (LS-2129)					
	XC0730129	DECORATION PLATE (LS-2125: OTHER)					
	XC0730131	DECORATION PLATE (SL-7)					
	XC0730132	DECORATION PLATE (LS-2125i)					
	XC0730133	DECORATION PLATE (JS-23)					
	XC0730134	DECORATION PLATE (VX-1435)					
	XC0730135	DECORATION PLATE (X-5)					
	XC0730136	DECORATION PLATE (LS-2150: RUS)					
	XC0730137	DECORATION PLATE (LS-2160)					
	XC0730138	DECORATION PLATE (LS-2150: AUS, TWN)					
	XC0730139	DECORATION PLATE (LS-3000)					
	XC0730140	DECORATION PLATE (LS-5000)					
	XC0730141	DECORATION PLATE (LX3014)					
5	XA7769021	CUSHION					
6	138172021	SCREW, PAN (S/P WASHER) M4X10					
7	053400806	SCREW, PAN (T WASHER) M4X8					
8	XD0291221	REAR COVER	1000026816				
9	XE7029001	THREAD GUIDE ASSY					
10	0A5301006	SCREW, PAN (S/P WASHER) M3X10					
11	XE6223001	SPOOL PIN (LS-2125j, USA, VX-1435: USA, LX3014)					
	XC8701021	SPOOL PIN (OTHER)					
12	XA0628121	SPOOL PIN SPRING					
13	XA8851021	SPOOL PIN STAND					
14	XE8912001	BOBBIN PRESSER					
15	052301606	SCREW, PAN (S/P WASHER) M3X16					
16	021300106	NUT 1 M3					
17	X57891021	REFLECTOR					
18	XA7926021	HINGED DOOR					
19	X53638121	SPRING					
20	XA9974021	FACE PLATE					
21	XZ5164001	TAPTITE, CUP P M4X19	1000036825				
22	XD0793021	ACCESSORY TABLE					
23	X58361021	RUBBER CUSHION					
24	X56474021	SPACER					

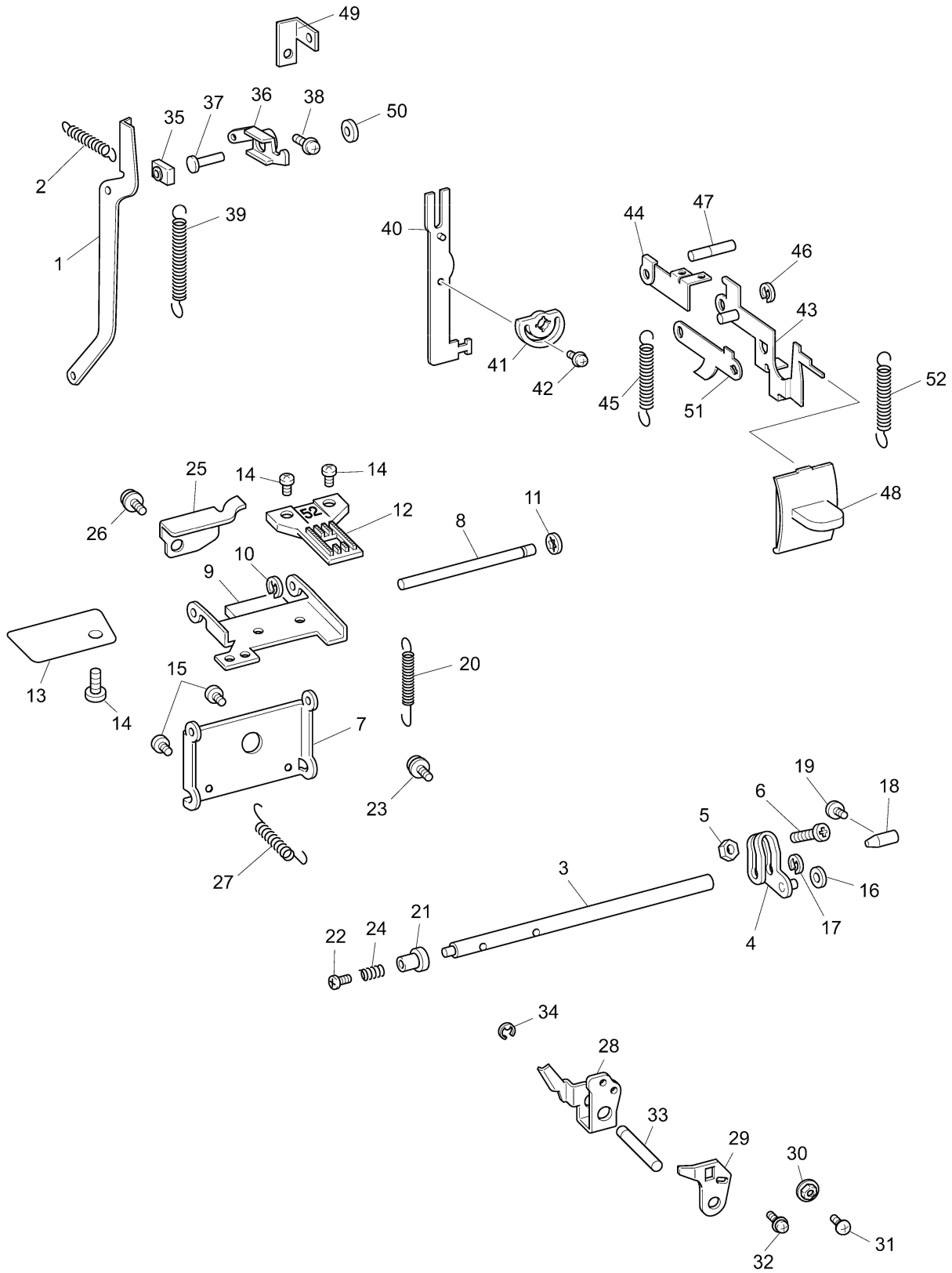
(2) UPPER SHAFT / NEEDLE BAR / TAKEUP LEVER / PRESSER FOOT MECHANISM



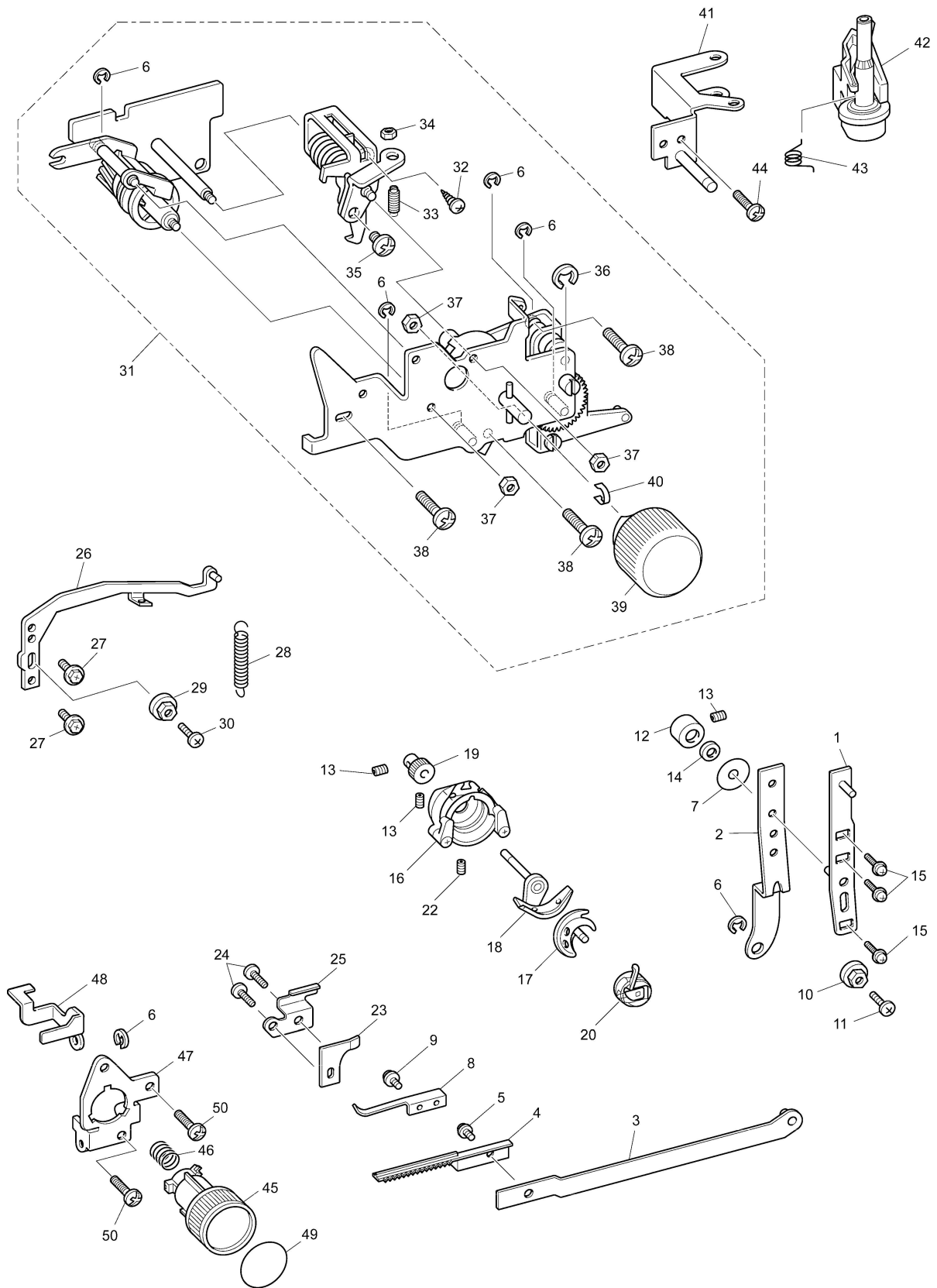
(2) UPPER SHAFT / NEEDLE BAR / TAKEUP LEVER / PRESSER FOOT MECHANISM

No.	CODE	NAME	REMARKS	No.	CODE	NAME	REMARKS
UPPER SHAFT MECHANISM				TAKEUP LEVER MECHANISM			
1	XE3693001	UPPER SHAFT SUPPLY ASSY		31	XF5805001	THREAD TAKE-UP ASSY	1000043586
2	012400432	SET SCREW SOCKET (FT) M4X4		32	XA0648120	THREAD TAKE-UP LEVER STUD	
3	XA0637120	CLUTCH PLATE		33	XA1866021	WASHER, SPRING	
4	XA0636020	CLUTCH SPRING		34	048050346	RETAINING RING E5	
5	XA0638120	TIMING PULLEY		35	X57913021	TAPTITE, BIND S M4X16	
6	048080346	RETAINING RING E8		36	X50532021	PRESSER PLATE	
7	012500532	SET SCREW SOCKET (FT) M5X5		PRESSER FOOT MECHANISM			
8	014400432	SET SCREW SOCKET (CP) M4X4		37	128437020	PRESSER BAR	
9	X52478021	BUSHING PRESSER		38	X55770021	PRESSER BAR SPRING	1000034586
10	X57908021	TAPTITE, BIND S M4X10		39	XA0975051	PRESSER BAR GUIDE BRACKET (LS-2720)	
11	XA0639021	BALANCE WHEEL			XA0975021	PRESSER BAR GUIDE BRACKET (OTHER)	
NEEDLE BAR MECHANISM				40	X52760021	SET SCREW, PAN M6 x 12	
12	XD1220131	NEEDLE BAR ASSY N (LS-2125i, LS-2150: TWN, AUS, CHN, LX3014)		41	XA2511121	PRESSER FOOT LIFTER	
13	XA2358121	NEEDLE BAR (EXCEPT: LS-2125i, LS-2150: TWN, AUS, CHN)		42	XA0977150	PRESSER FOOT LIFTER STUD	
14	XA0642120	NEEDLE BAR THREAD GUIDE (EXCEPT: LS-2125i, LS-2150: TWN, AUS, CHN)		43	138135122	ZIGZAG PRESSER FOOT	
15	XC8563031	NEEDLE CLAMP SCREW (LS-2125i, LS-2150: TWN, AUS, CHN, LX3014)		44	XE2555101	PRESSER FOOT HOLDER ASSY	
	XA0644021	NEEDLE CLAMP SCREW (OTHER)		45	XG1343001	SCREW SM3.57-40X8	1000045719
16	XA0643121	NEEDLE CLAMP (EXCEPT: LS-2125i, LS-2150: TWN, AUS, CHN)		46	048050346	RETAINING RING E5	
17	012400432	SET SCREW SOCKET (FT) M4X4 (EXCEPT: LS-2125i, LS-2150: TWN, AUS, CHN)					
18	XA8983021	NEEDLE BAR SUPPORTER					
19	XA1289221	NEEDLE BAR CRANK ROD ASSY	1000032426				
20	012400432	SET SCREW SOCKET (FT) M4X4					
21	XA3477021	NEEDLE BAR SUPPORTER STUD					
22	X54369021	SPRING					
23	X56851021	LOCK NUT					
24	XE3167001	NEEDLE BAR SUPPORTER GUIDE					
25	XA1113221	NEEDLE BAR CRANK					
26	132051022	SCREW, FLAT SM3.57-40X7 L					
27	XA3954121	ZIGZAG NEEDLE PLATE					
28	X50487021	SCREW M4					
29	X57908021	TAPTITE, BIND S M4X10					
30	X53330020	WASHER	1000032940				

(3) HORIZONTAL / VERTICAL FEED / FEED CONTROL MECHANISM



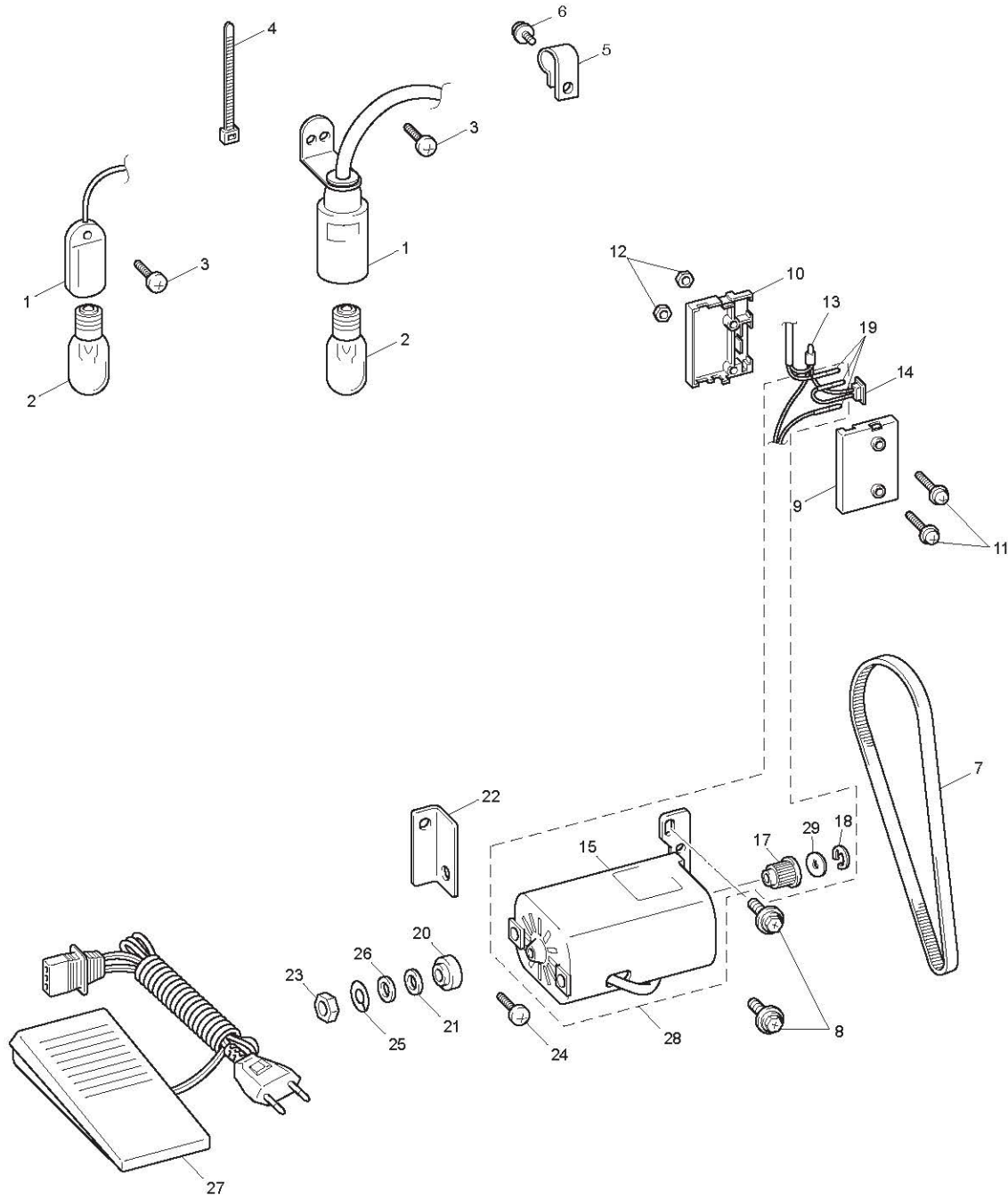
(4) LOWER / SHUTTLE / ROTARY / ZIGZAG / PATTERN / BOBBIN WINDING MECHANISM



(4) LOWER / SHUTTLE / ROTARY / ZIGZAG / PATTERN / BOBBIN WINDING MECHANISM

No.	CODE	NAME	REMARKS	No.	CODE	NAME	REMARKS
LOWER SHAFT MECHANISM							
1	XA4693121	CAM DRIVE CONNECTING ROD A		39	XC0369022	SELECTING DIAL (LS-2125: CAN, ARG, CHL, PRY, TWN, GUF, Latin America (2&5), LS-2129, LS-2125i, LS-2150: AUS, TWN)	
2	XA1012221	CAM DRIVE CONNECTING ROD B			XC0369021	SELECTING DIAL (OTHER)	
3	XA1014021	CAM DRIVE ROD C SUB ASSY		40	XC0549020	DIAL HOLD PLATE	
4	XA1017120	RACK		BOBBIN WINDING MECHANISM			
5	XC7564021	SCREW, PAN (S/P WASHER) M3X6		41	XA7986021	BOBBIN WINDER HOLDER SUB ASSY	
6	048040346	RETAINING RING E4		42	XA1049021	BOBBIN WINDER SPINDLE ASSEMBLY	
7	131976020	WASHER, THRUST		43	X59939021	BOBBIN WINDER SPRING	
8	XA1019021	RACK PLATE SPRING		44	X57908021	TAPTITE, BIND S M4X10	
9	XA8290021	TAPTITE, BIND S M4 x 8		NEEDLE THREADING MECHANISM			
10	X50559020	ZIGZAG ADJUSTING NUT		45	XA1052121	UPPER TENSION CONTROL DIAL	1000025308
11	062301006	SCREW PAN M3X10		46	X55821051	THREAD TAKE-UP SPRING	
12	X52077121	COLLAR		47	XA4426021	TENSION CONTROL HOLDER ASSY	
13	014400432	SET SCREW SOCKET (CP) M4X4		48	XA1058021	UPPER TENSION CONTROL RELEASER	
14	X53330020	WASHER		49	XA1255121	THREAD TENSION LABEL	
15	XA6907021	SCREW 4X8		50	X57908021	TAPTITE, BIND S M4X10	
SHUTTLE HOOK / ROTARY HOOK							
16	XA1317022	SHUTTLE RACE ASSEMBLY					
17	128581022	SHUTTLE HOOK					
18	XA1021021	SHUTTLE DRIVE ASSY					
19	XA1025021	DRIVER SHAFT GEAR					
20	128582023	BOBBIN CASE ASSEMBLY					
21	X52800420	BOBBIN					
22	014400632	SET SCREW SOCKET (CP) M4X6					
23	X57313221	RACK STOPPER	1000029128				
24	X57908021	TAPTITE, BIND S M4X10					
25	XA5702021	RACK STOPPER A					
ZIGZAG MECHANISM							
26	XA4483121	ZIGZAG CONNECTING ROD ASSY					
27	XA8474021	UPSET 4 x12 DB					
28	XA1529021	SPRING					
29	X50559020	ZIGZAG ADJUSTING NUT					
30	062301006	SCREW PAN M3X10					
PATTERN SELECTTING MECHANISM							
31	XC0363021	SELECTING UNIT ASSY					
32	136681021	TAPTITE, BIND B M3X8					
33	XA1620051	ADJUSTING SCREW					
34	X56851021	LOCK NUT					
35	060400416	SCREW, BIND M4X4					
36	048050346	RETAINING RING E5					
37	021400202	NUT 2 M4					
38	X57908021	TAPTITE, BIND S M4X10					

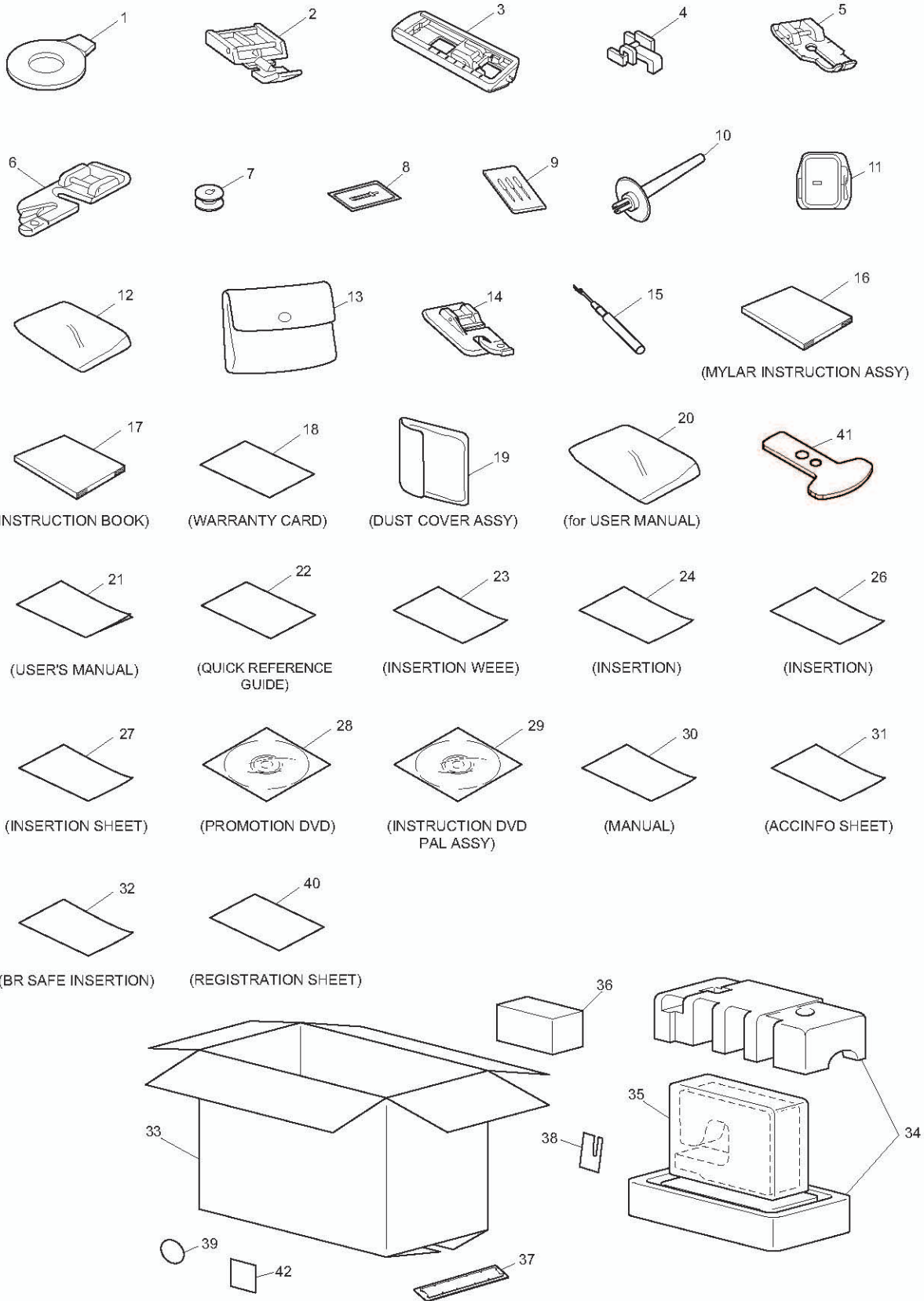
(5) LAMP / MAIN MOTOR UNIT



(5) LAMP / MAIN MOTOR UNIT

No.	CODE	NAME	REMARKS	No.	CODE	NAME	REMARKS
LAMP UNIT							
1	XC6789021	ASSY: SEWING LAMP E12C#025 (100-120V)		27	XE0629001	FOOT CONTROLLER: KD-2902AUS (AUS)	
	XA1064021	SEW-LIGHT ASSY (127-220-240V)			XD0112221	FOOT CONTROLLER: KD-2902IRAM (ARG)	1000053357
2	X53061030	SEW-LIGHT BULB (100-120V)			XE3414001	FOOT CONTROLLER: KD-1902 BRZ (BRA120V)	
	205336030	SEW-LIGHT BULB L-4 (220-240V)			XE4302201	FOOT CONTROLLER: KD-2902 BRZ (BRA220V)	1000029494
3	X57984021	TAPTITE, BIND S M3 x 20 (100-120V)			XF2826001	FOOT CONTROLLER:KD-1902 BRZ (BRA127V)	1000029653
	XA1623021	TAPTITE, BIND S M3 x 10 (127-220-240V)			XE3447001	FOOT CONTROLLER: KD-1902 TWN (TWN)	
4	X53169020	BAND (127-220-240V)			XD0852121	FOOT CONTROLLER: KD-2902KOREA (KOR)	1000027263
5	XA7678021	CORD CLAMP			XD0105021	FOOT CONTROLLER:KD-2902 CHN (CHN)	1000035867
6	X57908021	TAPTITE, BIND S M4 x 10			XC7438521	FOOT CONTROLLER: KD-2902 (OTHER)	1000053083
MAIN MOTOR UNIT							
7	XA1196021	T BELT B163XXL4.8		28	XF7370001	MOTOR: HFA-07150 #2 SUPPLY (100-120V)	1000045932
8	XA3004021	BOLT, (S/P WASHER) M5 x 12			XF2695001	MOTOR: NS-70 FDM220V SUPPLY (ARG, CHL, PRY, Latin America (2&5), CHN)	1000029464
9	XA8786021	3P SOCKET BODY			XF2696001	MOTOR: NS-70 220V/60HZ SUPPLY (KOR, BRA220V)	1000029464
10	XA8787021	3P SOCKET COVER			XF2697001	MOTOR: NS-70 FDM240V SUPPLY (AUS, MYS)	1000029464
11	052403006	SCREW, PAN (S/P WASHER) M4X30			XF3607001	MOTOR: NS-65 FDM127V SUPPLY (BRA127V)	1000029653
12	021400206	NUT 2 M4			XF2694001	MOTOR: NS-70 FDM230V SUPPLY (OTHER)	1000029464
13	214808020	CONNECTOR: #3		29	XE9183001	FRANGE	1000045932
14	XA1070021	PW SWITCH ASSY (100-120V)					
	XA1073021	PW SWITCH ASSY (127-220-240V)					
15	XF7011001	MOTOR: HFA-07150 #2 (100-120V)	1000045932				
	XC7599521	MOTOR: NS-70 FDM220V (ARG, CHL, PRY, Latin America (2&5), CHN)					
	XD0851321	MOTOR: NS-70 FDM220V/60HZ (KOR, BRA220V)					
	XE0730301	MOTOR: NS-70 FDM240V (AUS, MYS)					
	XF1800001	MOTOR: NS-65 FDM127V (BRA127V)	1000029653				
	XC7436421	MOTOR: NS-70 FDM230V (OTHER)					
16	XA1265120	MOTOR T-PULLEY A	1000045932				
17	XF7358001	MOTOR T-PULLEY 9	1000045932				
18	048030346	RETAINING RING E3	1000045932				
19	138598021	SOCKET PIN					
20	XC2138020	SPACER (100-120V)					
21	XC2139020	WASHER (100-120V)					
22	XE2842001	MOTOR SUPPORTER (100-120V)					
23	021400206	NUT 2 M4 (100-120V)					
24	XA8474021	UPSET 4X12 DB (100-120V)					
25	028040242	WASHER SPRING 2-4 (100-120V)					
26	102707023	WASHER (100-120V)					
27	XC7359021	FOOT CONTROLLER: KD-1902 (USA, CAN)					
	XC7456521	FOOT CONTROLLER: KD-2902UK (UK, UAE)	1000043071				

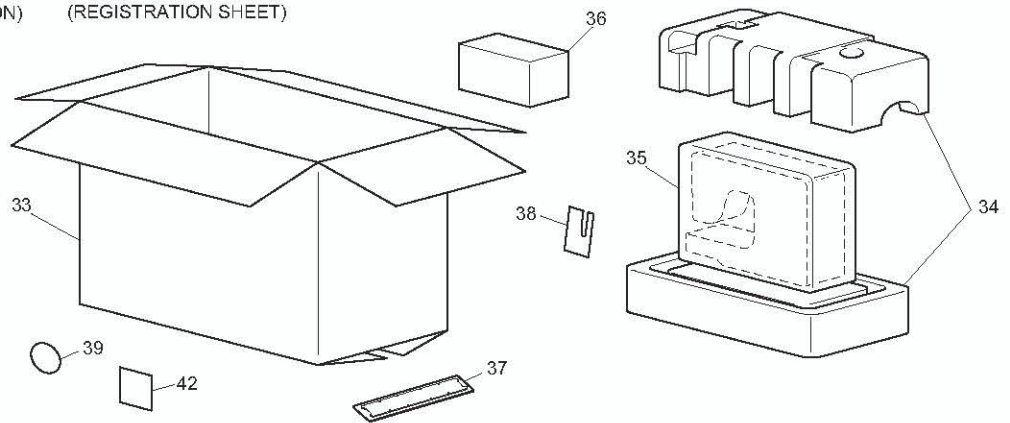
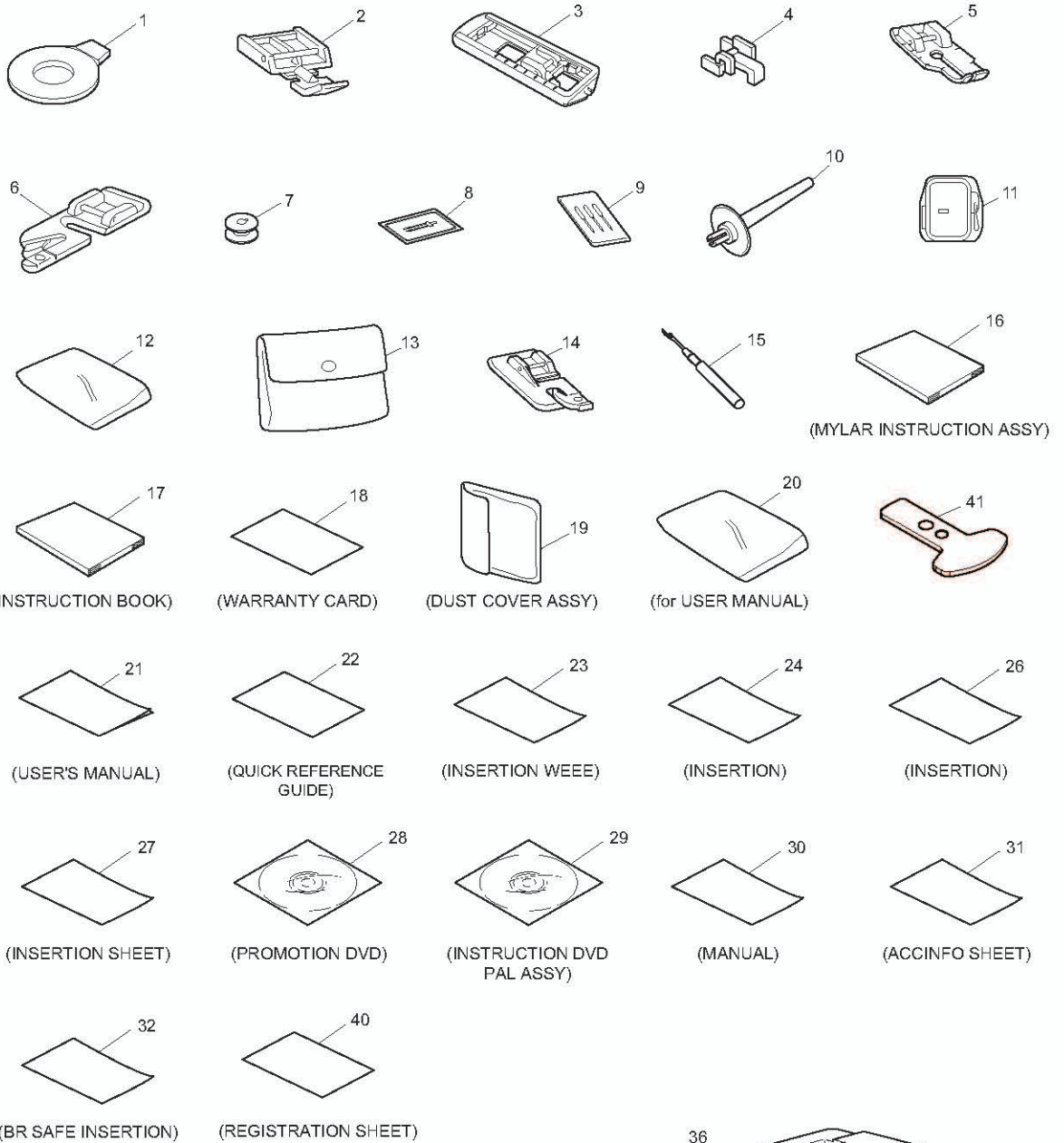
(6) ACCESSORY / USER MANUAL / OTHER PARTS / PACKAGE



(6) ACCESSORY / USER MANUAL / OTHER PARTS / PACKAGE

No.	CODE	NAME	REMARKS	No.	CODE	NAME	REMARKS
ACCESSORY PARTS							
1	X55467021	SCREW DRIVER			XE1129101	INSTRUCTION BOOK (English, French, Spanish, Portuguese)	1000042409
2	X59370021	ZIPPER FOOT			XF6535001	INSTRUCTION BOOK (CHN)	1000035867
3	X59369321	BUTTON HOLE FOOT ASSY			XE2346501	INSTRUCTION BOOK (LX3014: English)	
4	XE2137001	BUTTON SEWING FOOT		18	XF5055001	STANDARD WARRANTY FOR US (USA, GUF, Latin America (2&5))	1000032973
5	XA3805021	1/4" QUILTING FOOT (LS-2129)			XE8671001	WARRANTY CARD BROTHER CANADA (CAN)	
6	X59371021	NARROW HEMMER FOOT (LS-2129, LS-2160: IND)	1000027887		XE5652001	WARRANTY CARD BROTHER ARG (ARG, PRY)	
7	X52800120	BOBBIN			XE4548001	WARRANTY CARD BR HSM (BRA)	
8	X57521021	NEEDLE PACKAGE (1 PCE) (EXCEPT: LS-2129, LS-2125: CAN, ARG, CHL, PRY, GUF, Latin America (2&5), TWN)			XE9699001	WARRANTY CARD EU (EUROPE)	
9	XE5328001	NEEDLE SET(3PCS) (LX3014)			XF6323101	2&5 WARRANTY FOR US (USA)	1000038646
	129583121	NEEDLE SET (3PCS) (OTHER)		19	XA2112022	DUST COVER ASSY (LS-2720)	
10	130920021	EXTRA SPOOL PIN		20	130800021	BAG 230X310H (EXCEPT: LS-2720)	1000027581
11	XA3442121	FEED DOG COVER		21	XC2067121	USER'S MANUAL (LS-2129)	
12	XD0789021	BAG, 120X135C (LS-2125i, LX3014)		22	XA8545221	QUICK REFERENCE GUIDE (LS-2125: ARG, CHL, PRY, TWN, GUF, Latin America (2&5), LS-2125i: BRA, VX-1435, LS2150: TWN)	
13	XC4487021	ACCESSORY BAG (EXCEPT: LS-2125i, LX3014)			XE4594001	QUICK REFERENCE GUIDE (LS-2125i: USA)	
14	XA9898001	PICOT FOOT (LS-2160: IND)	1000027887		XE5240201	QUICK REFERENCE GUIDE (LX-3125, LX-3125e: EXCEPT CAN)	
15	XZ5082001	SEAM RIPPER (LS-2160: IND)	1000027887		XE4764001	QUICK REFERENCE GUIDE (EEU) (Cesko)	
USER MANUAL / OTHER PARTS							
16	XE4953001	MYLAR INSTRUCTION ASSY ENG (LS-2125i: USA)			XE4765001	QUICK REFERENCE GUIDE (EEU) (Hungary)	
	XE4954001	MYLAR INSTRUCTION ASSY SPA (LS-2125i: USA)			XE4766001	QUICK REFERENCE GUIDE (EEU) (Poland)	
17	XE0529001	INSTRUCTION BOOK (German, Czech, Polish, Hungarian)			XE4767001	QUICK REFERENCE GUIDE (EEU) (Romania)	
	XC6790121	INSTRUCTION BOOK (English, French, Spanish, Portuguese)			XE4768001	QUICK REFERENCE GUIDE (EEU) (Bulgaria)	
	XD1215221	INSTRUCTION BOOK (Russian, X-5: English)	1000042825		XE8917001	QUICK REFERENCE GUIDE (LX-3125, LS2129, LS2125: CAN)	
	XE1335001	INSTRUCTION BOOK (Norwegian, Danish, Finnish, Swedish)			XF1272001	QUICK REFERENCE GUIDE (LX3014)	
	194404012	INSTRUCTION BOOK (German, French, Dutch, Italian)		23	XF0300101	INSERTION WEEE	1000043410
	XE7583001	INSTRUCTION BOOK TC (Chinese)		24	XF6550001	STOP INSERTION CANADA (CAN)	1000036767
	XE8365001	INSTRUCTION BOOK TC (Chinese)			XF3999101	INSERTION FOR AC POWER	1000032938
	XF4047001	INSTRUCTION BOOK BR 127V (Portuguese)	1000031473		XF6536001	FOOT HOLDER INSERTION (LS-2160: CHN)	1000035867
	XF4544201	INSTRUCTION BOOK BR (Portuguese)	1000031744		XF0404001	INSERTION (LX3014)	
	XE4762001	INSTRUCTION BOOK EEU (Romanian)			XE9618001	STOP INSERTION A5 (LX3014)	
	XE4763001	INSTRUCTION BOOK EEU (Bulgarian)		25	XE8862201	INSERTION CE (EXCEPT: KOR, CAN, ARG, CHL, PRY, Latin America 2&5, RUS, TWN, MYS, USA, BRA, IND)	1000042409
	XE5682001	INSTRUCTION BOOK TUR (Turkish)			XF5734001	CE INSERTION-2	1000042409
	XE4592001	INSTRUCTION BOOK ENG (English)					

(6) ACCESSORY / USER MANUAL / OTHER PARTS / PACKAGE



(6) ACCESSORY / USER MANUAL / OTHER PARTS / PACKAGE

No.	CODE	NAME	REMARKS	No.	CODE	NAME	REMARKS
26	XE9897001	UKRAINIAN ROHS INSERTION (RUS)			XF6810101	COLOR CARTON MODEL:LS-2125 (LS-2125: CHN)	1000047857
	XG4530001	INSERTION CHINA ROHS LS (CHN)	1000051781		XE7273001	COLOR CARTON MODEL: LS-2129 (LS-2129)	
27	XE4888001	NOT RETURN INSERTION SHEET (USA)			XE7265001	COLOR CARTON MODEL: LS-2150 (LS-2150: AUS, TWN)	
28	XE6308001	INNOV-IS RANGE PROMOTION DVD (LS-2125: EUROPE, JS-23, X-5, SL-7, LS-2150: RUS, LS-3000, LS-5000)			XE7508001	COLOR CARTON MODEL: LS-2150 (LS-2150: RUS)	
29	XE6078001	INSTRUCTION DVD PAL ASSY (XL2125: MYS, SGP&UAE, AUS, TUR, XL2160: MYS, SGP, AUS, IND, TUR, CHN)			XE9795001	COLOR CARTON MODEL:LS-3000 (LS-3000)	
30	XC1885024	MANUAL (LS-2129)	1000036683		XE9796001	COLOR CARTON MODEL:LS-5000 (LS-5000)	
	XF1673001	MANUAL (LS-2160: IND)	1000027887		XF6531101	COLOR CARTON MODEL:LS-2160 (LS-2160: CHN)	1000047857
31	XC6911021	ACCINFO SHEET (LS-2125: CAN, LS-2129, LS-2125i: USA, LX3014)			XG3787001	COLOR CARTON (LX3014)	
32	XF0726001	BR SAFE INSERTION (BRA)	1000025726				
40	XE9639001	REGISTRATION SHEET (LX3014)					
PACKAGE							
33	XF9541001	CARTON MODEL:LS-2125 (LS-2125: ARG, CHL, PRY, GUF, Latin America (2&5))	1000042023	34	X61509220	403SF ASSY (EXCEPT: LS-2720)	
	X61674048	CARTON (X-5: ESP, UK)			XE5613001	MOLD PAD TOP (LS2720)	
	X61674043	CARTON (SL-7: ITA, FIN)			XE5614001	MOLD PAD BOTTOM (LS2720)	
	XF9115001	CARTON:MODEL:X-5 (X-5: RUS)	1000041352	35	XE9881001	BAG 630X630H (LX3014)	
	XF9116001	CARTON:MODEL:SL-7 (SL-7: RUS)	1000041352		X60439121	BAG 630X630T (OTHER)	
	XD0834023	COLOR CARTON (LS-2125: BEL&FRA&NLD, ITA, EEU)		36	X60726020	FOOT CONTROLLER BOX	
	XE3903001	COLOR CARTON (LS-2125i: BRA)		37	LA6041001	SECURITY TAG (LS-2125: CAN, LS-2125i: USA, LX3014)	
	XE6110101	COLOR CARTON (LS-2125i: USA)	1000025634	38	XZ5028001	NEEDLE BAR PAD D	
	XE6111101	COLOR CARTON (VX-1435: USA)	1000025634	39	XD0242021	DVD STICKER (LS2125: MYS, AUS, SGP&UAE, TUR, LS2160: SGP, IND, MYS, TUR)	
	XD0834027	COLOR CARTON (JS-23: ITA, CHE)					
	XE3268001	COLOR CARTON (X-5: ITA, FIN)		41	XE5241001	NEEDLE PLATE FIXING METAL (LX3014)	
	XE5623001	COLOR CARTON (LS-2720: KOR)		42	LW0985001	CHINA ROHS STICKER 10 (CHN)	1000051781
	XE3427001	COLOR CARTON (LS-2125: TWN)			XF0138001	MRP BASE LABEL (IND)	1000024953
	XE5159001	COLOR CARTON (LS-2160)			X55608177	UPC CODE LABEL (LS-2125: ARG, CHL)	
	XE7506001	COLOR CARTON MODEL: JS-23 (JS-23: RUS)			XE6077001	NH FOOT STICKER (LS-2160: IND)	1000027887
	XE7608001	COLOR CARTON MODEL: JS-23 (JS-23: UK, ESP, FIN)			X57325021	LABEL (LS-2125: ARG, CHL, PRY, GUF, Latin America (2&5), SL-7, X-5: UK, RUS)	
	XE6543001	COLOR CARTON MODEL: LS-2125 (LS-2125: CAN)			XE4890101	NOT RETURN STICKER ENG	1000049325
	XE7507001	COLOR CARTON MODEL: LS-2125 (LS-2125: RUS)			XG4209001	ADDRESS LABEL BR BIZH	1000051957
	XE7609001	COLOR CARTON MODEL: LS-2125 (LS-2125: UK, ESP, FIN, MYS, AUS, SGP&UAE, TUR)			XG4213001	WARRANTY LABEL BR 1YEAR	1000051957

brother